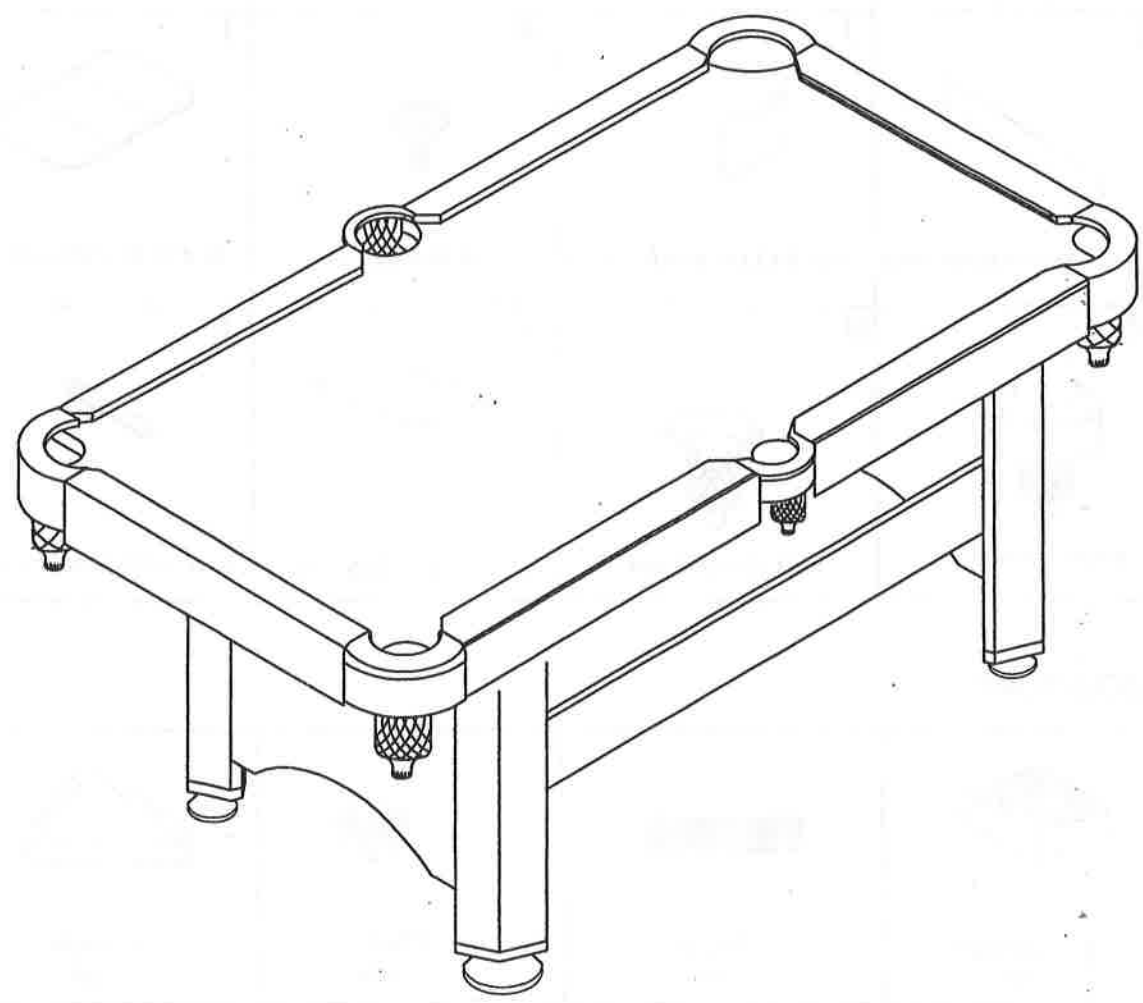








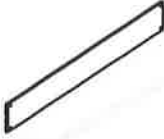



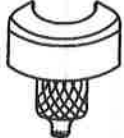





#3 3

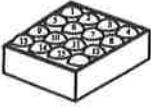


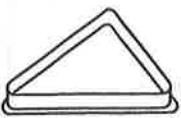

SLATE POOL TABLE












ASSEMBLY INSTRUCTIONS



<p>A</p>  <p>RAILS 6PCS</p>	<p>B</p>  <p>LONG SUPPORT 2PCS</p>	<p>C</p>  <p>SHORT SUPPORT 4PCS</p>	<p>D</p>  <p>LEGS 4pcs</p>
<p>E</p>  <p>SLATE BOTTOM BOARD 6PCS</p>	<p>F</p>  <p>SLATE BOTTOM BOARD 2PCS</p>	<p>G</p>  <p>SLATE BOTTOM BOARD 2PCS</p>	<p>H</p>  <p>SLATE BOTTOM BOARD 2PCS</p>
<p>I</p>  <p>LONG LEG BOARD 2PCS</p>	<p>J</p>  <p>SHORT LEG BOARD 2PCS</p>	<p>K</p>  <p>LEG LEVELER 4pcs</p>	<p>L</p>  <p>SLATE PLAYFIELD 1 SET</p>
<p>M</p>  <p>BALL CATCHER 4pcs</p>	<p>N</p>  <p>BALL CATCHER 2pcs</p>	<p>O</p>  <p>CLOTHS 1PC</p>	<p>P</p>  <p>SLATE BOTTOM BOARD 4 PCS</p>

ACCESSORIES

 <p>Billiard ball 1 set</p>	 <p>Brush 1 pc</p>	 <p>Chalk 1 box</p>	 <p>triangle 1 pc</p>
 <p>Cue 4 pcs</p>			

<p>#1</p>  <p>1/4*45 20PCS</p>	<p>#2</p>  <p>1/4*65 8PCS</p>	<p>#3</p>  <p>1/4*30 20PCS</p>	<p>#4</p>  <p>5/16*60 16PCS</p>
<p>#5</p>  <p>5/16*40 18PCS</p>	<p>#6</p>  <p>P4*45 18PCS</p>	<p>#7</p>  <p>1/4 16PCS</p>	<p>#8</p>  <p>F4*35 16PCS</p>
<p>#9</p>  <p>P4*18 16PCS</p>	<p>#10</p>  <p>P4*12 36PCS</p>	 <p>1 pc</p>	

STEP 1

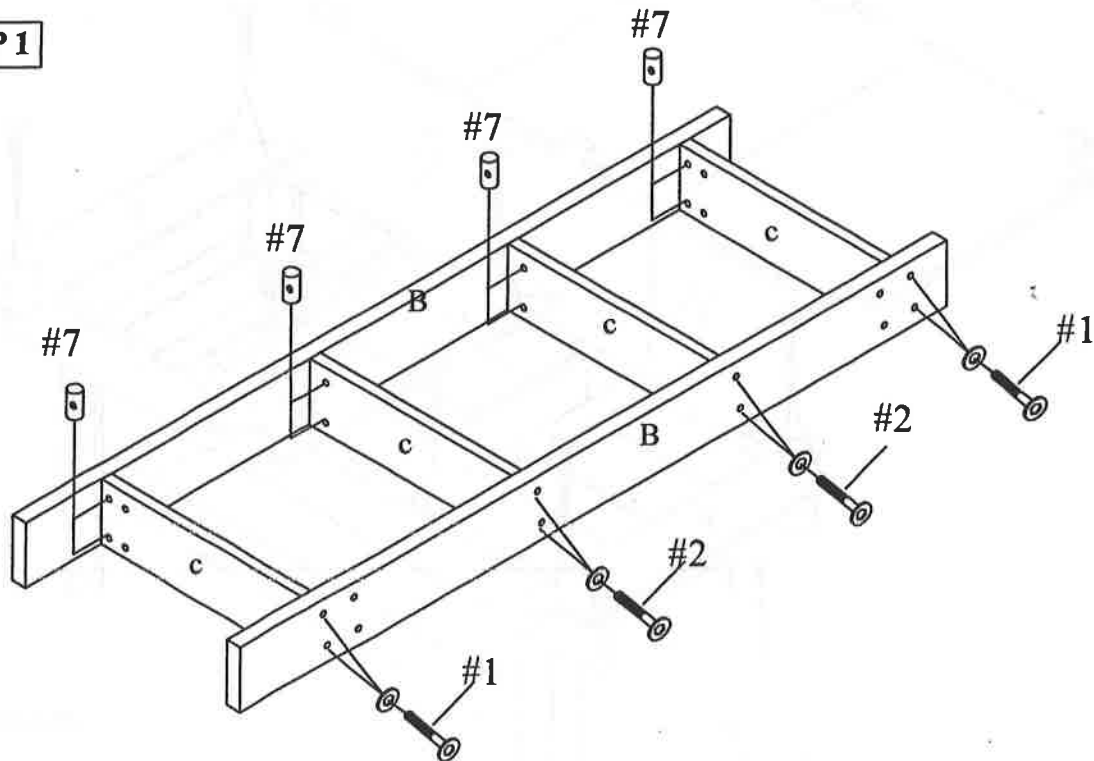


FIGURE 1

STEP 2

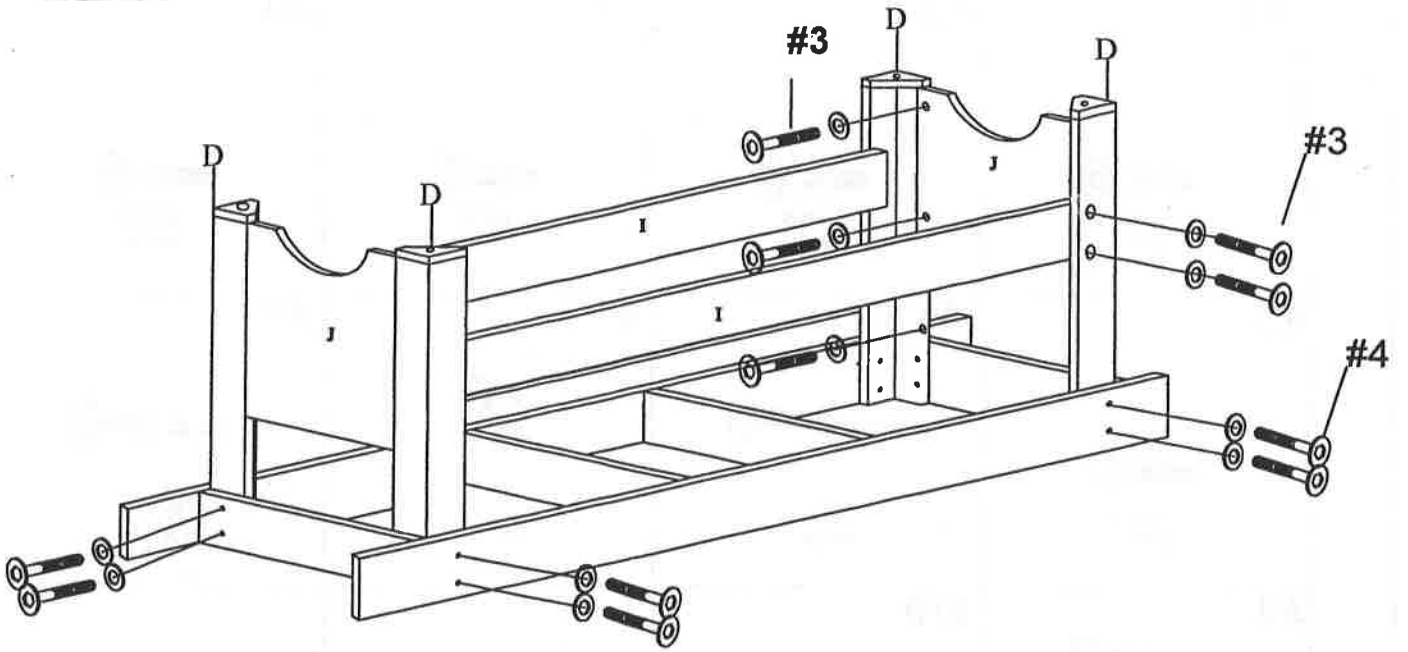


FIGURE 2

STEP 3

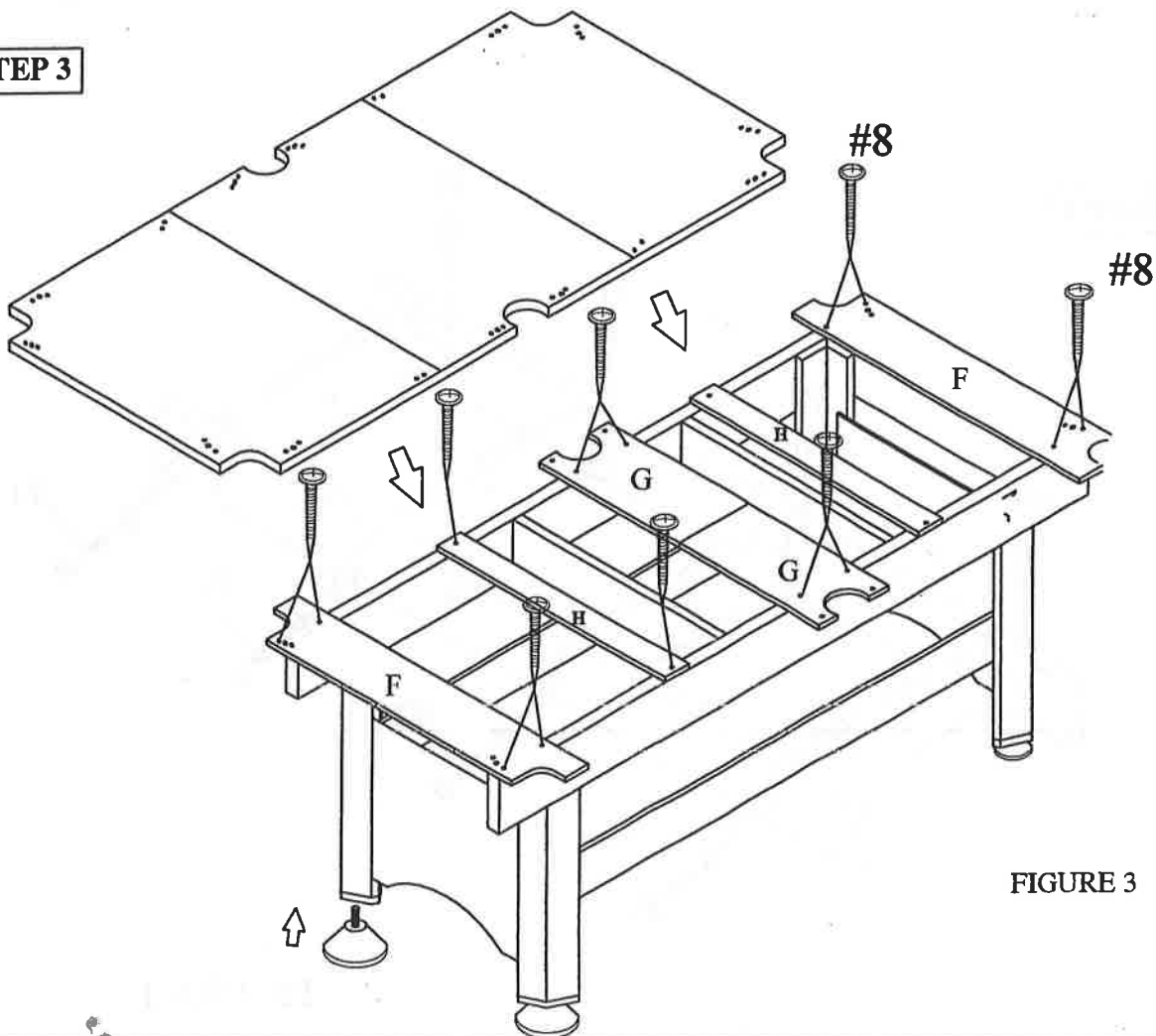


FIGURE 3

STEP 4

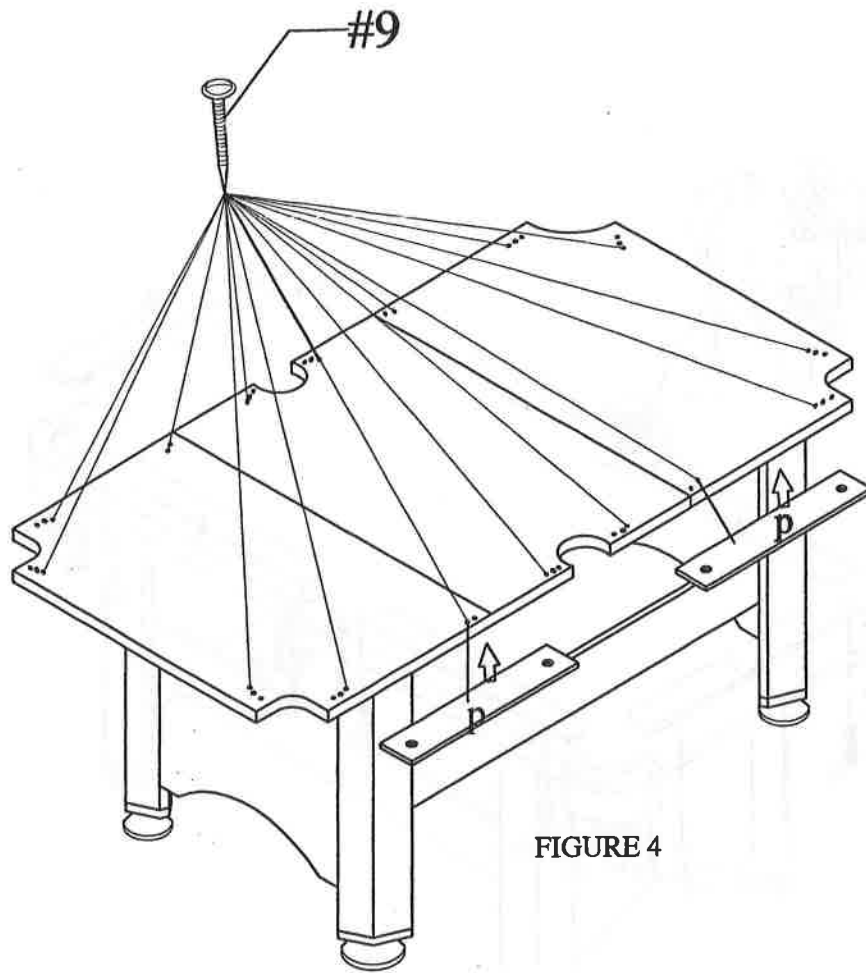


FIGURE 4

STEP 5

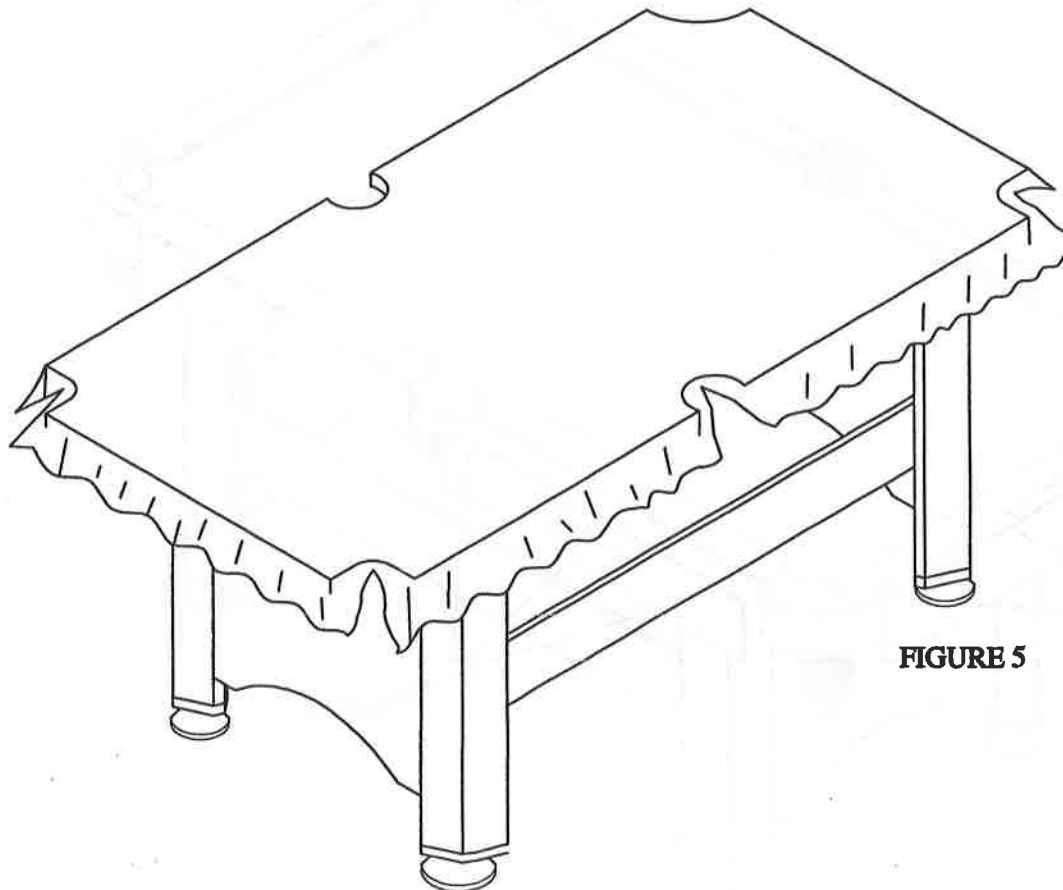


FIGURE 5

STEP 6

