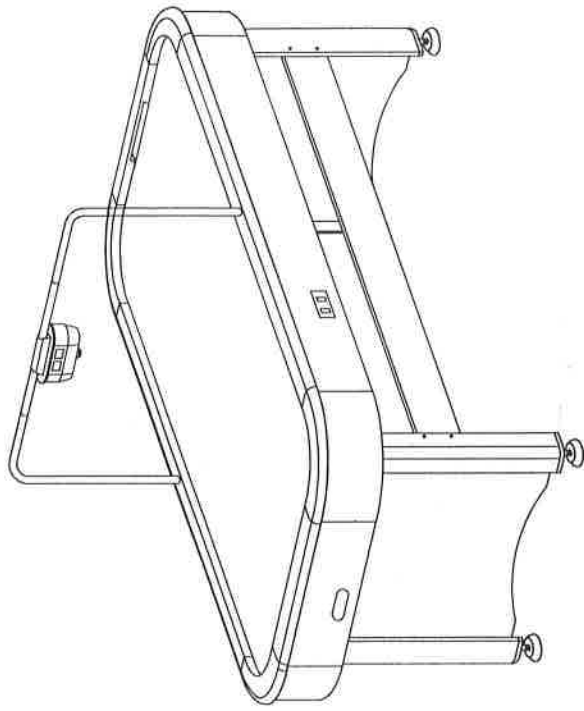


HOCKEY TABLE

ASSEMBLY INSTRUCTIONS

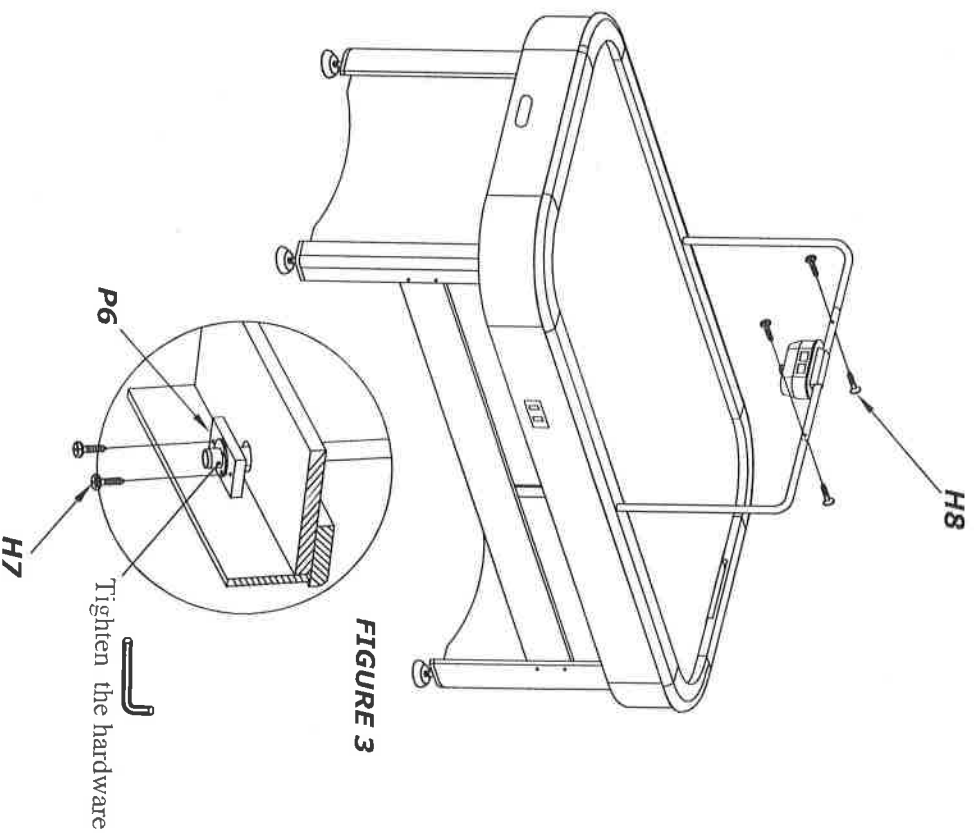


ASSEMBLY INSTRUCTIONS

HOCKEY TABLE ASSEMBLY

WARNING: TWO ADULTS NEEDED TO ASSEMBLE HOCKEY TABLE

8. Attach the steel tube with screw **H8** as shown in **figure 3**.
9. Insert the fixed wood **P6** to the steel tube (the back of the table). Tighten the hardware with L style tool as shown in **figure 3**.
10. Attach the fixed wood **P6** with screw **H7** as shown in **figure 3**



ASSEMBLY INSTRUCTIONS

HOCKEY TABLE ASSEMBLY

WARNING: TWO ADULTS NEEDED TO ASSEMBLE HOCKEY TABLE

6. Attach the electronic scorer **A4 .A5.A6** as shown in **figure 2**.
7. Connection the wire plugs as shown in **figure 2**.

***(note: the white plugs connect the white plugs, the black plugs connect the black plugs)**

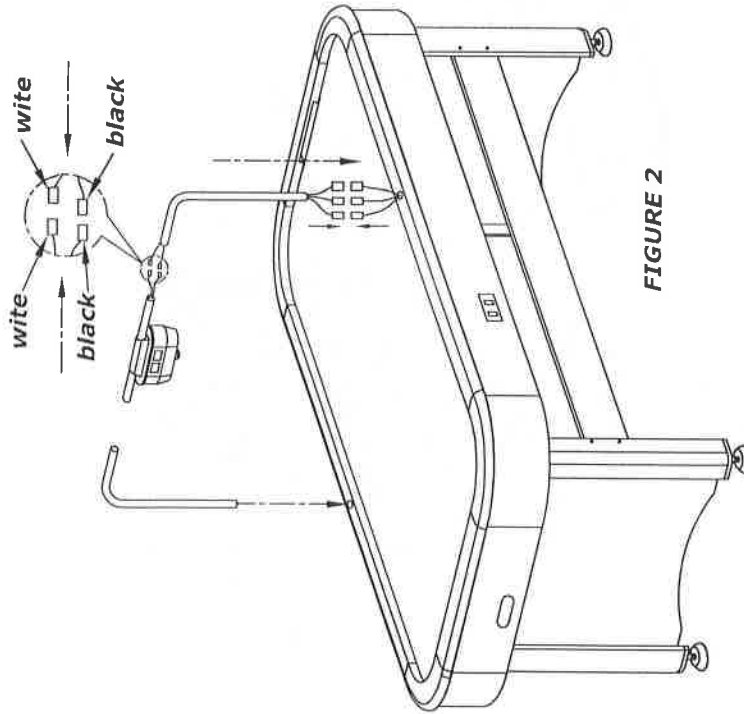
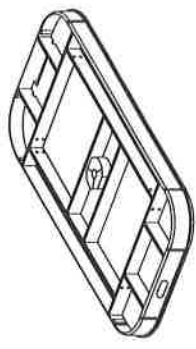





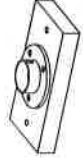
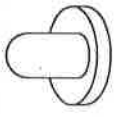

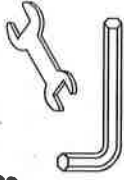


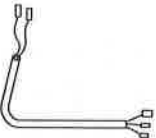
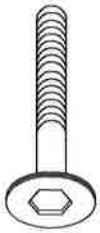
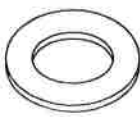
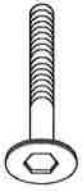



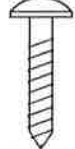



FIGURE 2

PARTS IDENTIFIER

<p>P1</p>  <p>MAIN ASSEMBLY 1 set</p>	<p>P2A</p>  <p>RIGHT LEG 2 pcs</p>	<p>P2B</p>  <p>LEFT LEG 2 pcs</p>
<p>P3</p>  <p>LEG SIDE PANELS 2 pcs</p>	<p>P4</p>  <p>LEG END PANELS 2 pcs</p>	<p>P5</p>  <p>LEG LEVELER 4 pcs</p>
<p>P6</p>  <p>FIXED WOOD 2 pcs</p>	<p>A1</p>  <p>HOCKEY STRIKER 4 pcs</p>	<p>A2</p>  <p>HOCKEY PUCK 2 pcs</p>
<p>A3</p>  <p>TOOL 3 pcs</p>	<p>A4</p>  <p>ELECTRONIC SCORER 1 pc</p>	<p>A5</p>  <p>STEEL TUBE 1 pc</p>
<p>A6</p>  <p>STEEL TUBE(withe wire) 1 pc</p>		

PARTS IDENTIFIER

H1  5/16x1-3/8" BOLT 16pcs	H2  5/16" BLACK FLAT WASHER 16pcs	H3  1/4x1-1/4" BOLT 8pcs
H4  1/4" BLACK FLAT WASHER 16pcs	H5  1/4" LOCK HEX NUT 8pcs	H6  5/8" ROUND HEAD PHILLIPS SCREW 12pcs
H7  1-1/4" FLAT HEAD SCREW 4pcs	H8  3/8" ROUND HEAD SCREW 4pcs	

ASSEMBLY INSTRUCTIONS

HOCKEY TABLE ASSEMBLY

WARNING: TWO ADULTS NEEDED TO ASSEMBLE HOCKEY TABLE

1. Unpack all contents and layout on the floor as shown in **figure 1**.
Verify all parts listed on parts list are present.
2. Attach leg **P2A & P2B** with bolt **H1** and washer **H2** as shown in **figure 1**.
3. Attach the end leg panels **P4** to the **INSIDE** surface of legs **P2A & P2B** using screw **H6**.
4. Assemble leg side panel **P3** with bolt **H3** and washer **H4**, nut **H5** as shown in **figure 1**.
5. Assemble the leg levelers **P5** as shown in **figure 1**.

ASSEMBLY INSTRUCTIONS

HOCKEY TABLE ASSEMBLY

WARNING: TWO ADULTS NEEDED TO ASSEMBLE HOCKEY TABLE

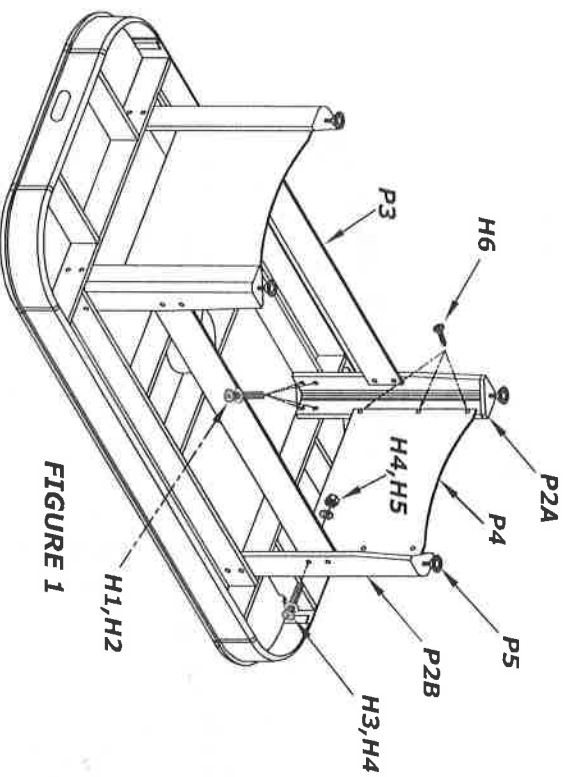


FIGURE 1