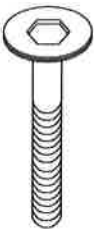
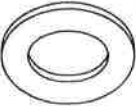


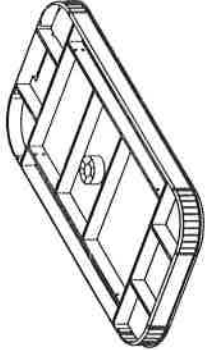
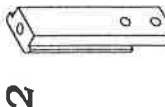



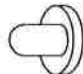





OL Central A503-6FT

PARTS IDENTIFIER

H1		H2		H3	
	5/16x1-1/4" BOLT 8pcs		5/16" BLACK FLAT WASHER 8pcs		1" ROUND HEAD PHILLIPS SCREW 24pcs
H4					
	1" FLAT HEAD SCREW 4pcs				

PARTS IDENTIFIER

P1		P2		P3	
	MAIN ASSEMBLY 1set		LEG END PANELS 4pcs		LEG END PANELS 4pcs
A1		A2		A3	
	HOCKEY PUCK 4pcs		LEG LEVELER 4 pcs		HOCKEY STRIKER 4 pcs
A4		A5		A6	
	SLIDE SCORER 2sets		TOOL 1pc		SLIDE SCORER 2sets

ASSEMBLY INSTRUCTIONS

HOCKEY TABLE ASSEMBLY

WARNING: TWO ADULTS NEEDED TO ASSEMBLE HOCKEY TABLE

1. Attach leg **P2** with bolt **H1** and washer **H2** as shown in **figure 1**.
2. Attach the end leg panels **P3** to the f legs **P2** using screw **H3**.
3. Assemble the leg levelers **P4** as shown in **figure 1**.

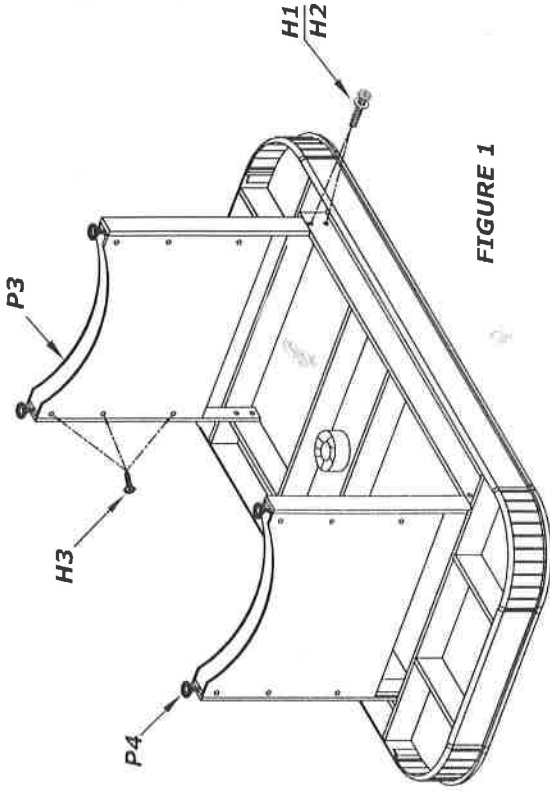


FIGURE 1

4. Attach the two sets of slide scorer **A4** to the end of table with screws **H4**.

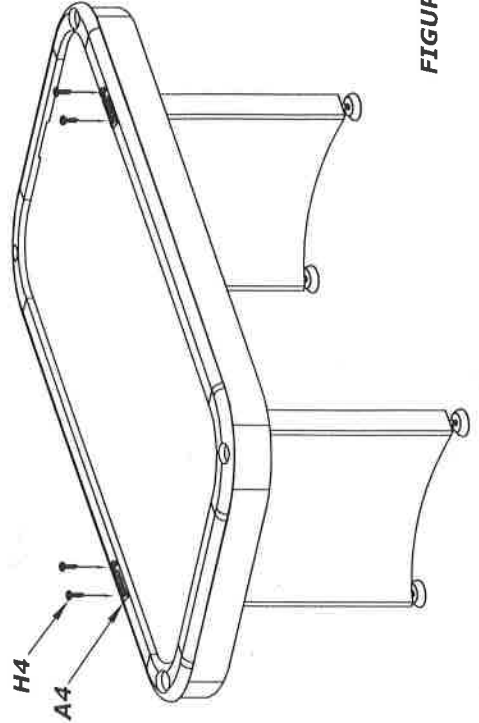


FIGURE 2