

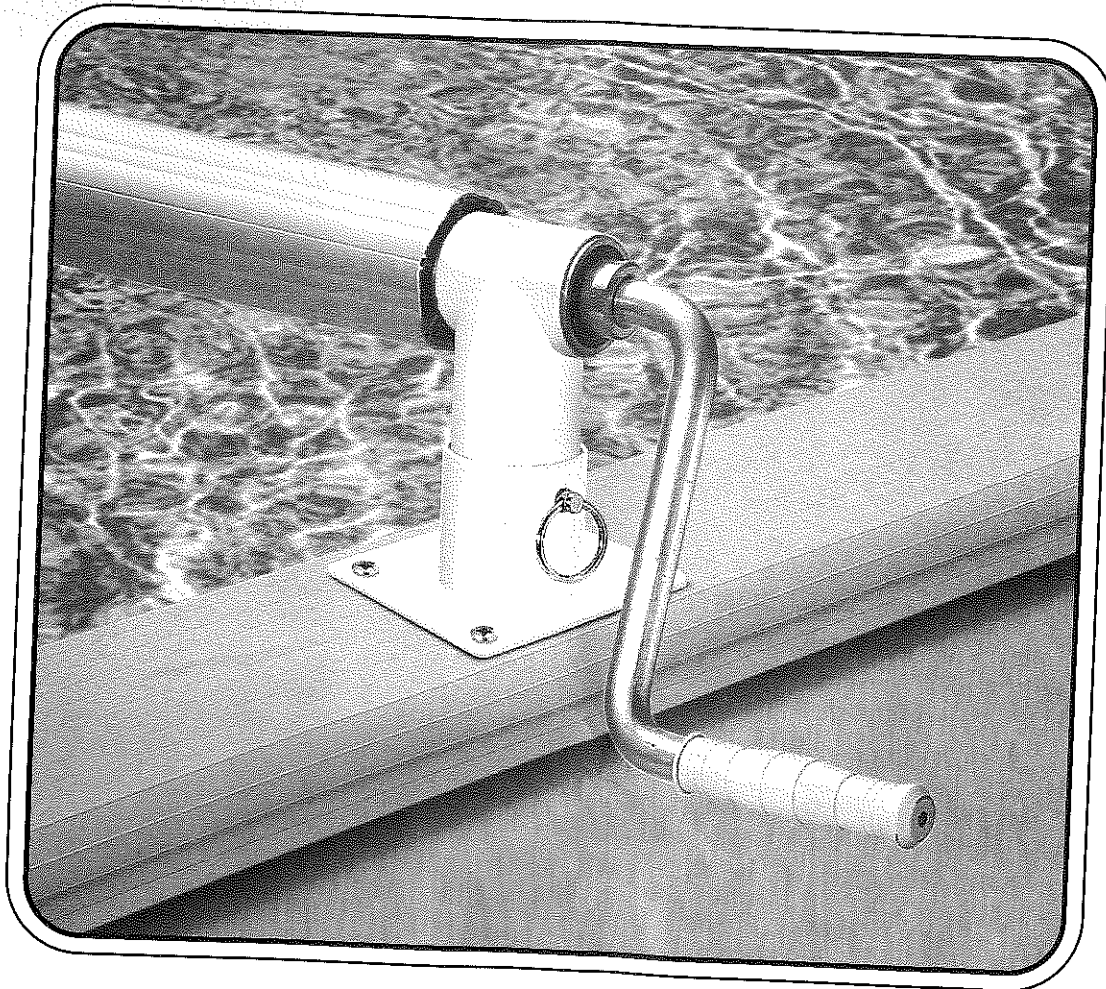
Item #50050 Instructions

SWIMLINE®

HYDROTOOLS™

Solar Reel

*Premium Metal Reel System
For Above Ground Solar Pool Covers*



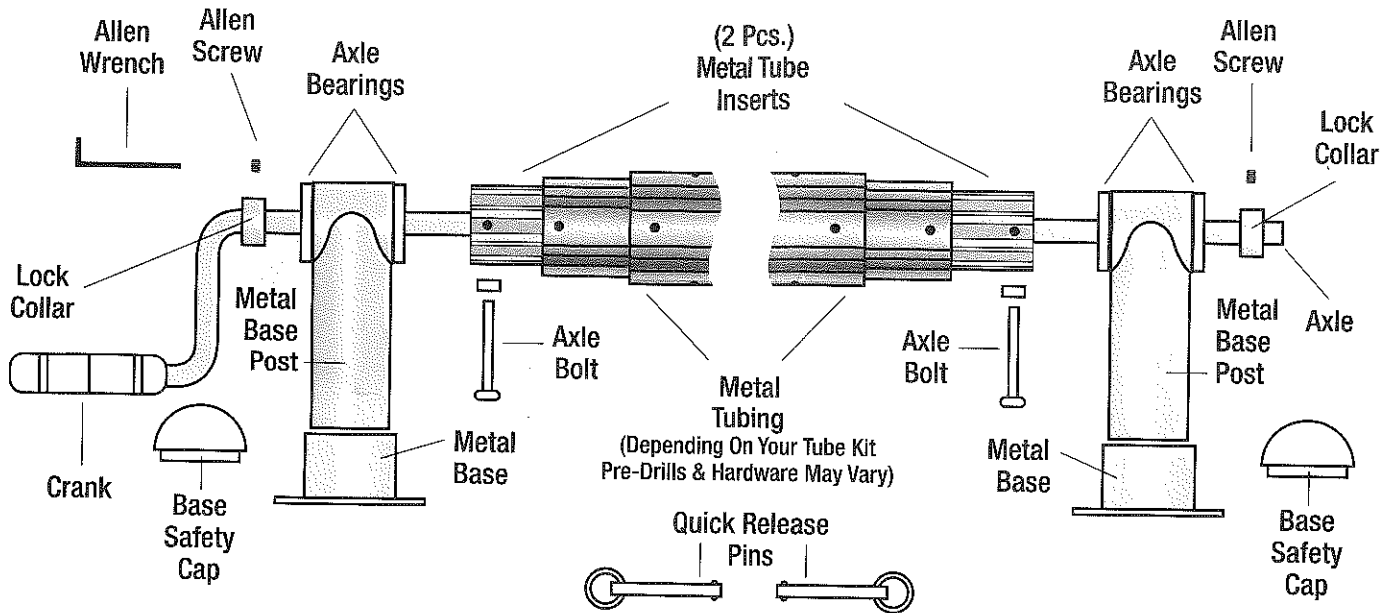
HYDROTOOLS
by ILP/Swimline

Edgewood, New York 11717 • www.swimline.com

SWIMLINE®
HYDROTOOLS™
Solar Reel



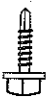


Item # 50050
Metal Reel System
For In Ground
Solar Pool Covers

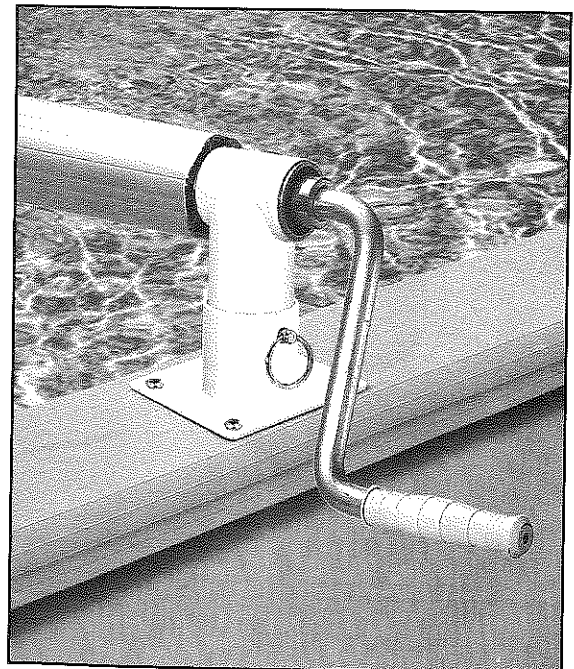
1. Congratulations on your purchase of our PREMIUM METAL Solar Reel System for Above Ground Pools. Please follow the instructions carefully so as to not void our warranty.
2. Please use your solar blanket and reel assembly in the manner it was intended for:
 - a. Your solar blanket is not a safety cover
 - b. Remove the solar blanket and Solar Reel assembly from the pool completely before swimming use.
 - c. Do not store the solar blanket on the ground in direct sunlight, as it will burn the lawn
3. Preparation & Assembly: Check inventory of all items and assemble as illustrated below:



PARTS LIST

- (1) Crank
- (2) Metal Bases
- (2) Metal Base Posts
- (4) Axle Bearings (Installed)
- (2) Lock collars w/ Allen screws
- (1) Allen Wrench for lock collar
- (1) 3" Metal Tube Insert
- (1) 3" Metal Tube Insert w/ Axle
- (2) Base Safety Caps
- (2) Quick Release Pins
- (1) Strap Kit
- (8) Self Drilling Mounting Screws
- (2) 2.83" SS Axle Bolts & Nuts
- (1) Phillips Driver Bit

	STRAP KIT (11 Pcs.) Plastic Screw (1 extra piece)
	(21 Pcs.) Plastic Strap Plate (1 extra piece)
	(11 Pcs.) Stainless Steel Self-Drilling Screws (1 extra piece)
	(1 Pc.) Driver Bit
	(10 Pcs.) Fabric Straps (1 extra piece)



4. Depending upon the size of your pool you will also require one of the following tube kits:
(Tube Assembly is detailed below and on back cover)

Item #51120 3" Tube Kit
Fits up to 12' width pool
(1) 59-1/2" x 2.920" Diameter extruded metal shaft
(2) 59-1/2" x 2.745" Diameter extruded metal shaft
(4) Through Bolts
(1) Drill Bit
(2) 24" Storage Straps
(2) Wood Screw Storage Hooks

Item #51160 3" Tube Kit
Fits up to 16' width pool
(1) 72" x 2.920" Diameter extruded metal shaft
(2) 72" x 2.745" Diameter extruded metal shaft
(4) Through Bolts
(1) Drill Bit
(2) 24" Storage Straps
(2) Wood Screw Storage Hooks

Item #51200 3" Tube Kit
Fits up to 20' width pool
(2) 59-1/2" x 2.920" Diameter extruded metal shaft
(3) 59-1/2" x 2.745" Diameter extruded metal shaft
(8) Through Bolts
(1) Drill Bit
(2) 24" Storage Straps
(2) Wood Screw Storage Hooks

Item #51240 3" Tube Kit
Fits up to 24' width pool
(2) 68" x 2.920" Diameter extruded metal shaft
(3) 68" x 2.745" Diameter extruded metal shaft
(8) Through Bolts
(1) Drill Bit
(2) 24" Storage Straps
(2) Wood Screw Storage Hooks

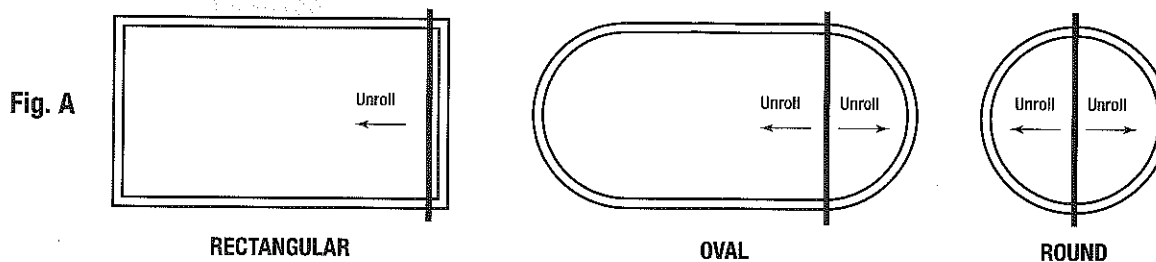
Item #51164 4" Tube Kit
Fits up to 16' width pool
For larger pools and/or heavy gauge solar covers
(1) 72" x 3.80" Diameter extruded metal shaft
(2) 72" x 3.725" Diameter extruded metal shaft
(6) Through Bolts
(2) 6" Long Metal Inserts
(1) Drill Bit
(2) 24" Storage Straps
(2) Wood Screw Storage Hooks

Item #51204 4" Tube Kit
Fits up to 20' width pool
For larger pools and/or heavy gauge solar covers
(2) 59-1/2" x 3.80" Diameter extruded metal shaft
(3) 59-1/2" x 3.725" Diameter extruded metal shaft
(10) Through Bolts
(2) 6" Long Metal Inserts
(1) Drill Bit
(2) 24" Storage Straps
(2) Wood Screw Storage Hooks

Item #51284 4" Tube Kit
Fits up to 28' width pool
For larger pools and/or heavy gauge solar covers
(3) 58" x 3.80" Diameter extruded metal shaft
(4) 58" x 3.725" Diameter extruded metal shaft
(14) Through Bolts
(2) 6" Long Metal Inserts
(1) Drill Bit
(2) 24" Storage Straps
(2) Wood Screw Storage Hooks

5. Positioning Your Solar Reel:

For Rectangular pools, place top-rail brackets at either end of pool. Secure each bracket with 4 SS screws supplied.
For Oval pools, place top-rail brackets at either end of pool where radius begins. Secure each bracket as above.
For Round pools, place top-rail brackets at center of pool. Secure each bracket as above. (See Illustrations below)

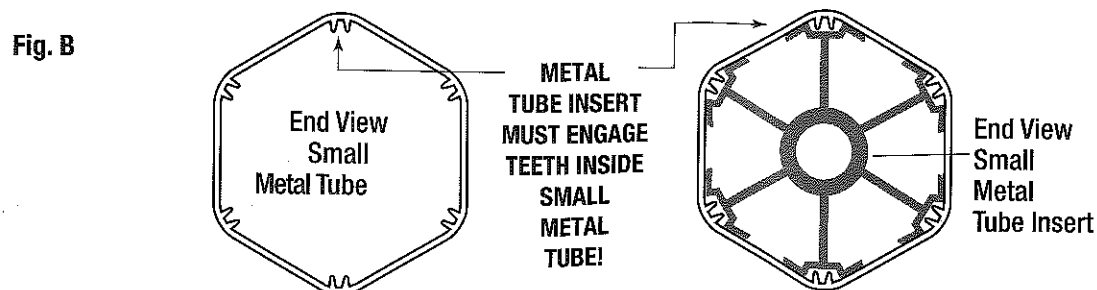


6. Trimming Your Solar Blanket:

- Lay your Solar Blanket (not provided) on top of water.
- IMPORTANT!** Oval & Round Pool owners will need to fold their solar covers at point of placement of brackets! The cover will unroll left and right of brackets & cross pole. Please allow 6 inches more material on length to allow for a fold where straps will be attached for wind onto reel system. (See Fig A above)
- With scissors trim blanket to fit shape of pool. Be sure to clear the inside top rail of pool.

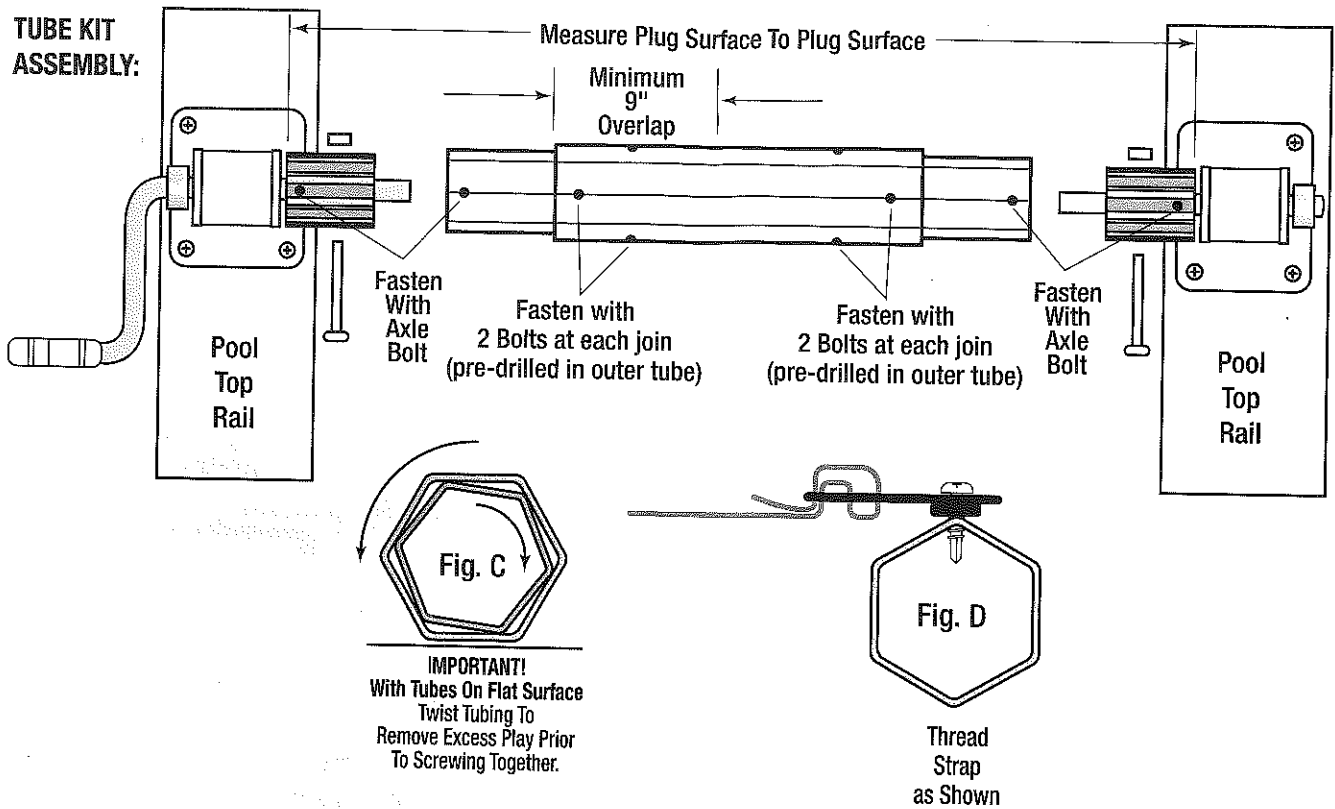
7. Assembling The Tube Kit:

All tube kits consist of 6 sided Hexagon shaped metal tubing. There are two sizes of tubing, the smaller size nesting into the larger size. All tube kits begin and end with the smaller diameter tubes. The Metal tube inserts require **CAREFUL ALIGNMENT!** (See illustration below for proper insertion).



7. Assembling The Tube Kit : (Cont.)

- Loosely assemble extruded tubes together. Slide excess width into adjoining tubes, dividing it up as equally as possible.
Note: You must have a minimum of 9" of overlap in each tube!
- Measure the width across the pool from plug surface to plug surface & adjust length of the tube assembly to fit the span.
- With tubes on flat surface, lock the tubes together by rotating each adjoining tube in the opposite direction. (See Figure C)
- Secure each tube with just 1 self drilling screw in each adjoining tube.
- Attach the tube assembly into the Crank and Tubing Plugs and check for fit. Assemble Tube assembly together with Crank Handles and Tube Plugs by lining up hole in the end of each tube fitted into Crank Handle and secure with metal Axle Bolt and nut provided.
- When all is OK, drill through holes in large outer tubes using pre-drilled holes as a template. Drill from each side with Drill Bit supplied.
- Fasten with 2 Bolts & Nuts at each join. Bolts are at right angles to each other.



8. Attach Straps to Tubes:

Come in 6 inches from each tube end and attach a strap plate to the metal tube assembly. Use the self drilling screws on the drill line to attach the plate. Look at the holes that were pre-drilled at the factory and use the same drill line. There are 6 lines on each tube. Take the remaining strap plates and connect them evenly along the length of the tube assembly. Attach Straps to strap plate. (See Fig. D Above Right)

9. Attach Solar Blanket to Straps:

If reel is to be located at the end of the pool, attach cover to strap plate with plastic screw as shown in Fig. E Below Left. If reel is to be located offset or at the center of the pool then attach cover to strap plate forming a fold to act like a hinge and the plastic screw will go through two layers of the solar blanket as shown in Fig. F Below Right. Bubbles should face down.

Fig. E

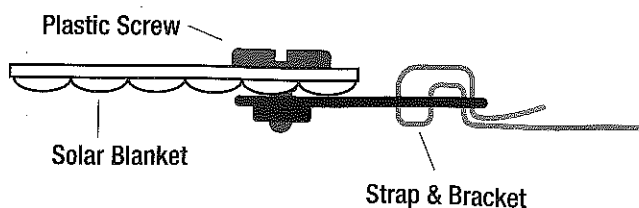


Fig. F

