

TWENTY-FIVE YEAR - LINER WARRANTY

Swimline Corporation warrants this liner to be free of defects in our workmanship. Examine your liner carefully before installing. Handle your liner carefully during inspection and installation, as the manufacturer is not responsible for tears or punctures caused by improper handling. A 6" cove must be put inside around the wall to protect the liner from contacting the pool frame.

Swimline Corporation family pool liners are warranted free of defects in the seams for a period of twenty-five (25) seasons, from the date of purchase, on a prorated basis, each season to end December 31 of the calendar year. Replacement under the warranty is as follows:

First Season	no charge
Second Season	30%
Third Season	40%
Fourth Season	50%
Fifth Season	60%
Sixth Season	70%
Seventh Thru Fifteenth Season	80%
Sixteenth Thru Twenty-Fifth	90%

*Do not take your pool liner back to the dealer you purchased it from.
Contact us directly at the following address:*

**Swimline Corp.
191 Rodeo Drive
Edgewood, New York 11717
(631) 254-2155 x135 or www.swimline.com**

It is expressly agreed that there are no warranties expressed or implied made by the dealer or Swimline Corporation except as stated above. Swimline Corporation will not be responsible for any labor charges, cost of lost water or chemicals, or any other damages that may occur therefrom. Any claim of defective workmanship or materials should be reported to the Customer Service Department as soon as possible. (This warranty is void against shrinkage if pool is emptied; the pool can be cleaned, no matter how dirty, with the proper filtration and water chemistry.)

Any return of merchandise under the terms of the warranty must be authorized in advance, and returned freight prepaid.

**DO NOT DIVE INTO YOUR POOL!
DIVING AND JUMPING IS STRICTLY FORBIDDEN AND CAN CAUSE INJURY & PARALYSIS.**



IMPORTANT: For your health and safety, please note - this swimming pool does not have sufficient depth for diving. Do not dive. Do not allow others to dive into this swimming pool. Diving is dangerous. Prevent accidents by prohibiting horseplay and unnecessary roughness in the pool or the pool area.



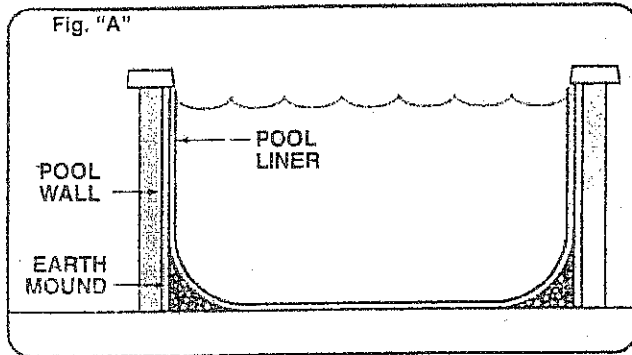
SWIMLINE

ABOVE GROUND LINER

INSTALLATION INSTRUCTIONS

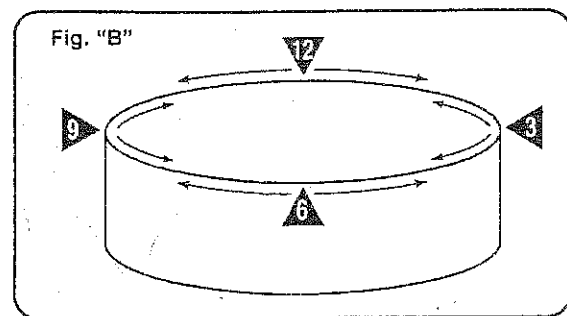
PREPARATION

1. Remove all the grass and roots within the pool area and 1 foot beyond. Grass and weeds can and will grow through the liner material and the damage is not covered by the warranty.
2. After surface has been leveled. Spread a 2" layer of mason sand over the entire bottom area of the pool within the confines of the wall. This protects the liner from the metal edges of the pool. Rake out smoothly and hand tamp to pack the sand. Do not use beach or play sand as it will not compact and will leave footprints. Use virgin material that does not contain seeds or spores.
3. Refer to Figure "A". Form a 6" X 6" earthen mound or cove by compacting the mason sand around the inside perimeter of the pool area. A preformed styrofoam cove can also be used in place of the earthen mound. *Note: Cover the screws on the wall joint with Duct Tape to protect liner from being punctured.*



4. Place the carton in the center of the pool.
5. Carefully open the carton. **Do not use a knife or any sharp instrument that will cut through the carton and damage the liner.**
6. Unfold the liner and spread it in the sun to warm up. The ideal temperature should be above 70 degrees Fahrenheit.
7. Arrange the liner so it is centered in the pool. The welded seams of the wall and floor must fall on the center of the cove. The floor seams should run straight and parallel to the side of the pool. On rectangular or octagon pools insure that corners line up correctly.
8. Inspect all seams to insure that they are not open and check the surfaces for any holes.
9. **Disregard the steps 10 through 12 if you have an overlap liner.**
10. The following steps are for Beaded Liners only.
11. Fasten a round liner in place by attaching the beaded section in four (4) locations, the 12, 3, 6 and 9 O'clock positions. See Figure "B". Similarly for a rectangular liner you would position the corners first and then the middle points between the each corner, on ovals, follow the instructions for a round liner and then fasten in the middle of each straight side.
12. Use masking or electrical tape to hold the bead in place if necessary. Now, from any two positions, work the bead into the track toward the center between them. Continue until you have all the bead attached to the bead receiver. If you do not install the liner in this manner, one of two situations will exist. Either you will have an excess of material (a flap) or a shortage on the circumference and you will not be able to stretch it enough to make it fit.

13. On overlap liners lift the sides of the liner and drape them over the pool wall.
14. Fasten the liner to the wall with plastic coping. Leave the liner loose fitting on the wall, **DO NOT** pull tight at this time. It may be necessary to fill a water bag and place it on one end of the pool; pull on the opposite end to stretch the floor across the bottom the pool area. Being folded up in the carton it may fall short. When the pool begins to fill the water bags become weightless and can be removed easily.
15. Start filling the pool with water. With about a 1/2 inch or so of water smooth out the wrinkles on the floor of the liner. A soft bristle broom will be helpful.



16. As the pool is filling remove the coping, one at a time, around the top edge and adjust the wall length by adding or removing material as necessary. This step applies to overlap liners only. Trapped air can form as water level is rising. This is normal. Beaded liners may want the use of a vacuum system. See notes below.
17. Do not cut out any opening in the wall for in-wall skimmers, returns, lighting fixtures, etc., until water is 3" below each of the respective openings.
18. Continue to fill pool until desired level is reached.

19. ATTACH "DO NOT DIVE" STICKER TO YOUR LINER TWO INCHES ABOVE THE WATER LEVEL. IT MUST BE CLEARLY VISIBLE.

INFORMATIONAL NOTES

1. Slight wrinkles may appear and is not unnatural nor does it effect the warranty.
2. A vacuum system can help remove the air from behind the liner. Insert a vacuum cleaner hose through the skimmer hole. While vacuuming you should adjust the liner with short tugs to eliminate wrinkles.
3. **The liner is not a structural part of the pool. Its purpose and design is to form a water seal. Water pressure is held by the pool wall and frame and not by the liner. A properly installed liner must be supported by the ground, earthen cove and the pool wall. An improperly installed liner will not support the weight of the water, resulting in a blowout which is not covered by the warranty.**
4. Over stretching will void the warranty. Any excess stretching will shorten the useful life of the liner.
5. Your pool manufacturers installation instructions will be a very important source of additional information.

UNI-BEAD SYSTEM SWIMMING POOL LINER INSTALLATION INSTRUCTIONS

This liner is made utilizing our **UniBead** Liner System. It can be used as a Beaded Liner in a pool that uses a Bead Receiver or as a J-Hook Liner in a pool that does not use a Bead Receiver. Please see the illustrations (**Fig. A** and **Fig. B**) showing a Bead Receiver or J-Hook design pool to determine how you will install this liner.

Warning: Failure to follow installation instructions will damage the pool liner and void the warranty!

Fig. A

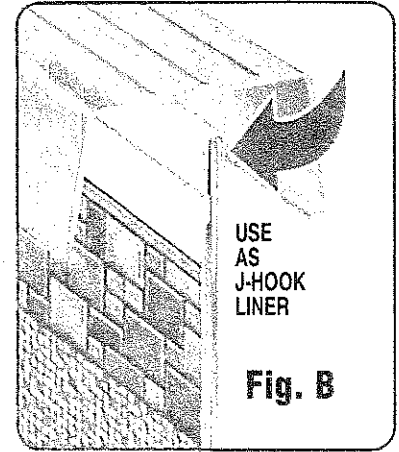
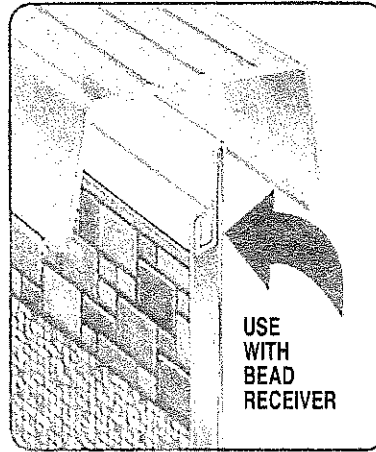
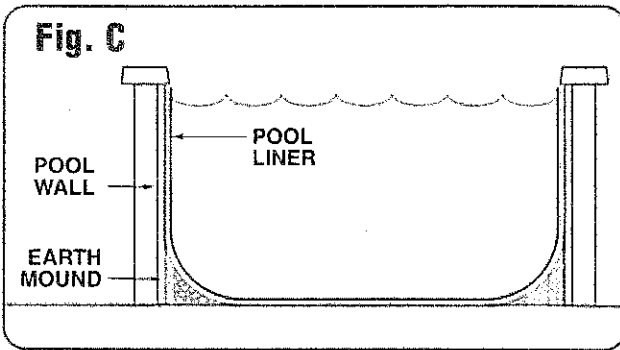
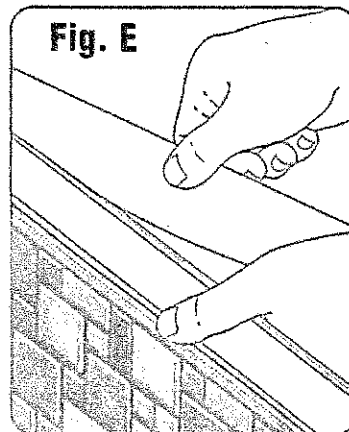
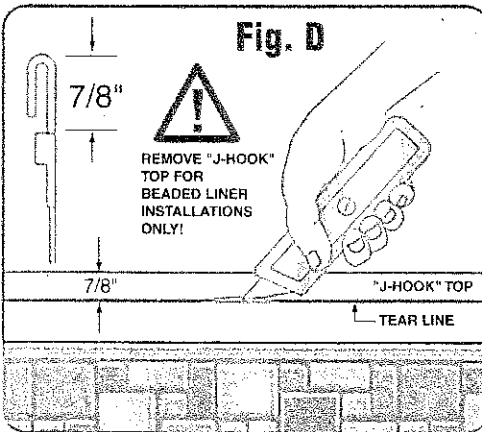


Fig. B



Make sure that you put an earth mound (6" x 6" wedge) or cove around the bottom of the pool wall to protect the liner from touching the metal frame. **See Fig. C.** For either type of installation, unfold and orient the bottom of floor of the liner in the pool. If it is a rectangle pool, lay out the liner so that the floor of the liner is centered exactly top to bottom and left to right and that the corners line up exactly. In a round or oval pool, lay out the floor of the liner so it is centered exactly top to bottom and left to right. Smooth out the floor of the liner by pushing it toward the pool wall. A soft push broom will be very helpful. **Never forcefully pull or drag the liner.**



Note: To use with a bead receiver you must remove the J-Hook portion of the **UniBead** System. Using a Utility Knife, **CAREFULLY** make a small incision along UniBead Tear Strip just above rectangular bead, approximately 7/8" from the top of the bead. **See Fig. D.** Then simply separate J-Hook section from Liner by tearing along tear line all the way around the liner. **See Fig. E.** Discard the separated J-Hook section. Install as conventional Beaded Liner. **See Fig. A.**

After you have determined which style you are going to use, you should refer to the instructions that came in your pool manual about setting up the liner in addition to these instructions because they will vary slightly from each manufacturer.

Now you are ready to attach the wall of the liner to the pool. You should attach the liner on the wall in about 6 or 8 places. If you have a rectangle pool, start with each corner. Then again in the middle of each straight wall. On ovals, start at the beginning of each radius in 4 places and then in the center of the two radius areas and straight sides. On round pools, begin at the 12, 3, 6 and 9 o'clock positions. Use masking or electrical tape, if necessary, to hold the liner in place. Make sure that you attach the wall perpendicular to the floor of the pool. Then, from any two positions, work the liner onto the wall to the center. Continue until you have the liner over the wall or in the bead receiver all the way around. If you do not attach the wall in this manner and begin from one location and work your wall completely around the pool, one of two situations will exist. Either you will have an excess of material or flap on the circumference of the wall or you will be short and have to stretch the material to make it fit. **See Fig. F.**

