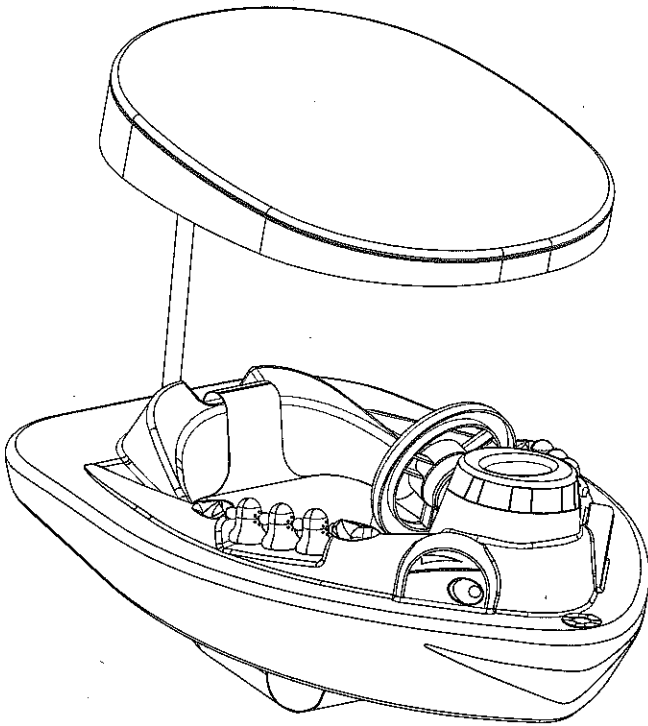


# ASSEMBLY INSTRUCTIONS

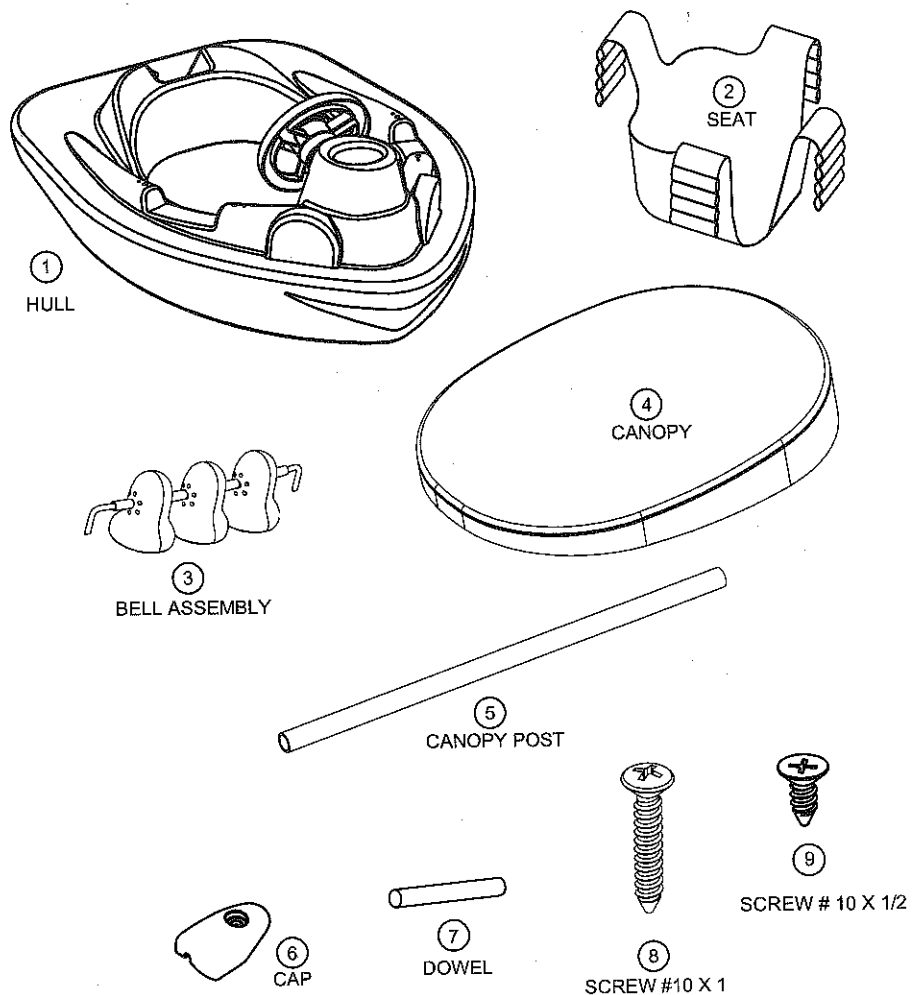
TUG BOAT  
MODEL 11622-110



**Ages 9-24 Months**

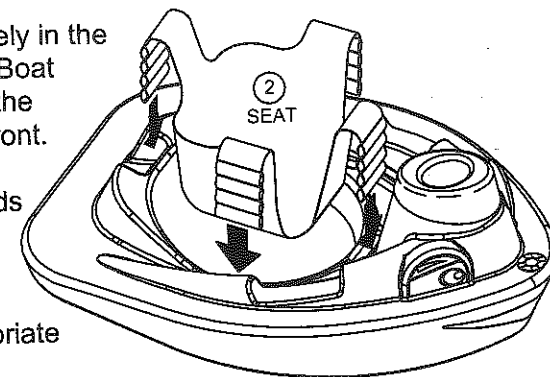
**⚠ WARNING: ADULT ASSEMBLY REQUIRED**

REF. NO.	QTY.	DESCRIPTION
1	1	HULL
2	1	SEAT
3	2	BELL ASSEMBLY
4	1	CANOPY
5	1	CANOPY POST
6	4	CAP
7	4	DOWEL
8	4	SCREW #10 X 1
9	2	SCREW #10 X 1/2
10	1	DECAL SHEET

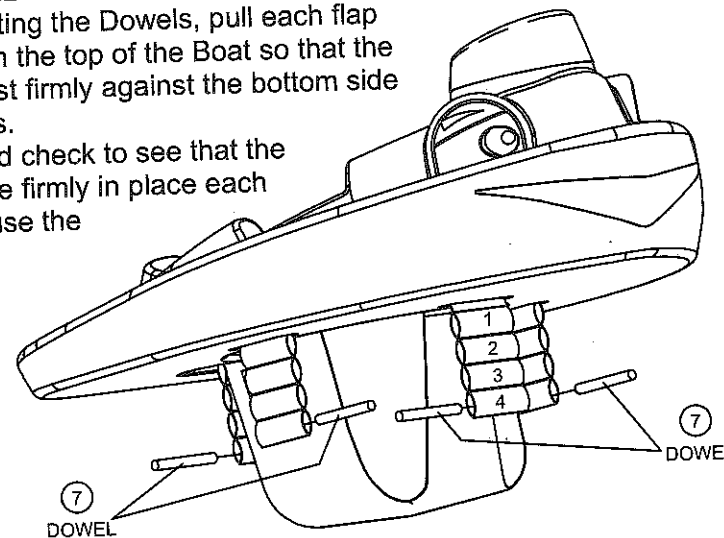


**STEP 1**

Position the Seat ② loosely in the center opening of the Tug Boat with the seams down and the label up and towards the front. Insert the end of each flap into the slot so that the ends protrude below the bottom of the Boat. Insert one of the Dowels ⑦ into the pocket in each flap appropriate to the height of your child. SEE TABLE 1.



After inserting the Dowels, pull each flap gently from the top of the Boat so that the Dowels rest firmly against the bottom side of the slots. You should check to see that the Dowels are firmly in place each time you use the Tug Boat.



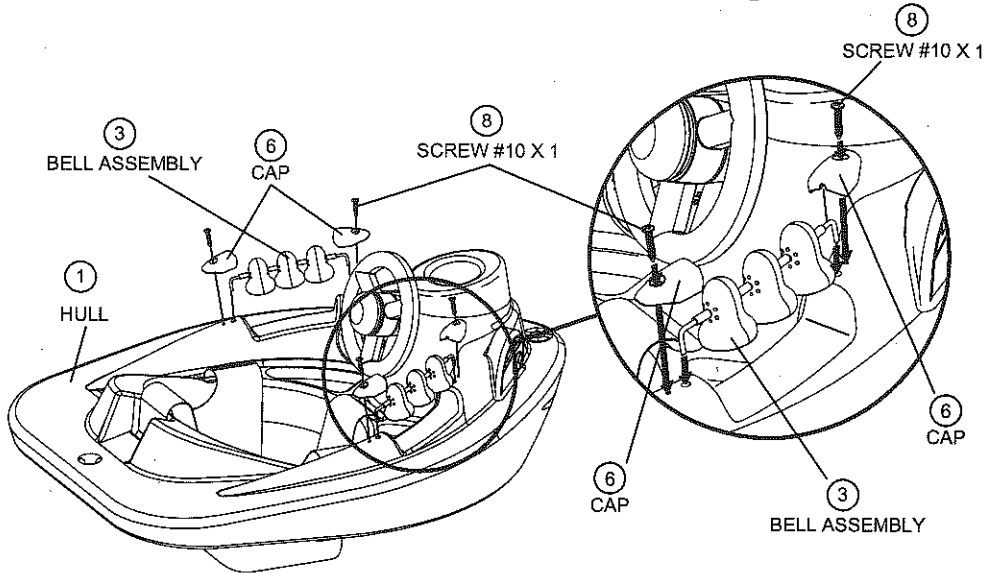
**! IMPORTANT !**

As your child grows taller, you must lower the seat to maintain proper stability. SEE TABLE 1.

Height of Child	Position
25 - 28"	1
28 - 31"	2
31 - 34"	3
34 - 37"	4

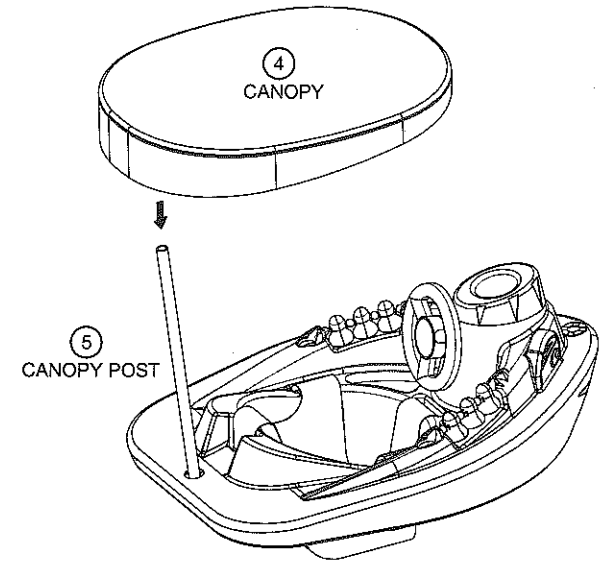
## STEP 2

Insert wire of each Bell Assembly (3) into the Tug Boat Hull. The curve of the wire must follow the contour of Tug Boat. Fasten in place using four Caps (6) and four Screws (8).



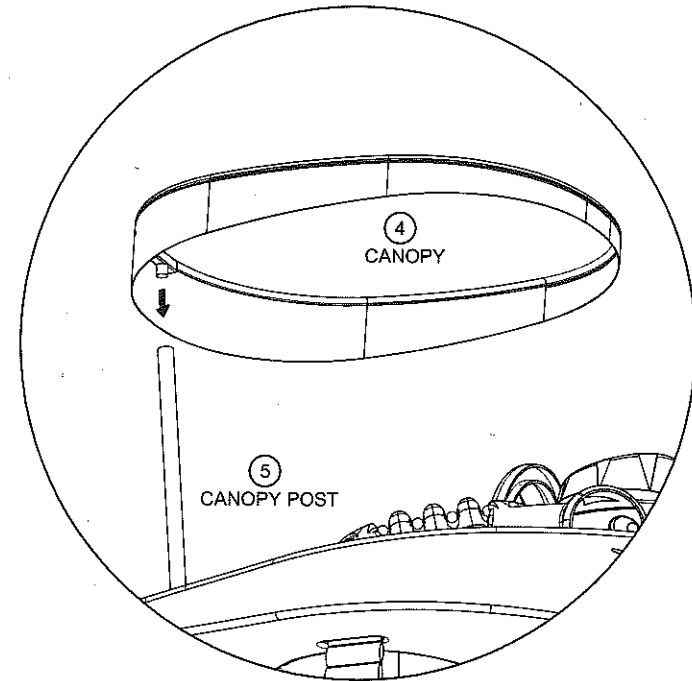
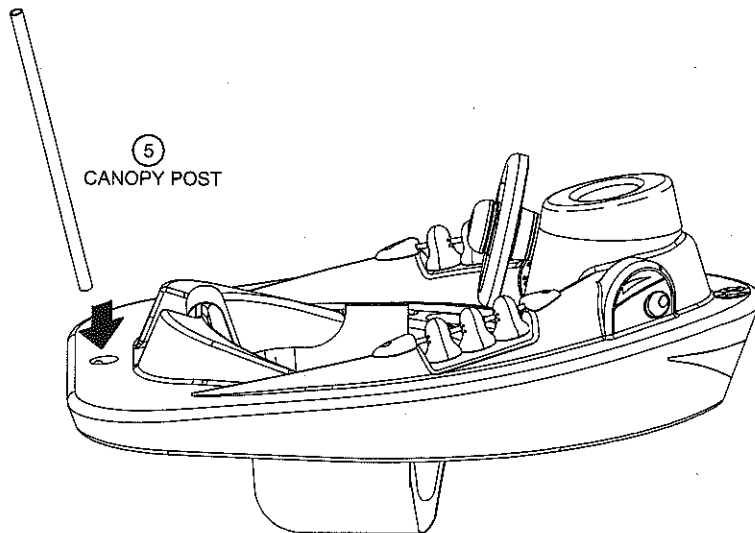
## STEP 4

Insert Canopy (4) onto top of Canopy Post (5).



## STEP 3

Insert Canopy Post (5) into recess in rear of Tug Boat.



## STEP 5

Peel each decal from its protective backing and apply it to the Tug Boat in the locations shown on the box art.

### SPECIAL INSTRUCTIONS

**DO NOT TOW THE TUG BOAT BY HOLDING OR TYING ANYTHING ONTO THE PLAY BELLS OR CANOPY. DO NOT USE THE CANOPY IN WINDS OVER 5 MPH.**

### CARE OF YOUR TUG BOAT

Caution: Chlorine and sunlight reduce the life of most materials. To prolong the life of your Tug Boat, we suggest when the boat is not in use to remove it from the pool. Wash away the chlorine pool water with plain water. Store the Tug Boat away from direct sunlight.

### IMPORTANT DAILY CHECK

Save the remaining 1/2" screws in a safe place. On a daily basis, shake your Tug Boat and look through it while holding it up into the light to detect if any water has entered inside the Hull. If it has, insert the 1/2" screw into the dimple marked "DRAIN" at the rear of the boat. Remove the screw and drain the water from the Hull. After draining the water, reseal the hole by placing the 1/2" screw into the hole.

**DO NOT OVERTIGHTEN AS YOU MAY STRIP THE THREADS OF THE PLASTIC.**

**⚠ WARNING: Tip Over-Child may crawl out of seat and fall in the water. Always stay in the pool within arm's reach of the child.**

**⚠ WARNING: This is not a lifesaving device. Always stay in the pool within arm's reach of the child.**

LIMITED WARRANTY

SAVE YOUR RECEIPT

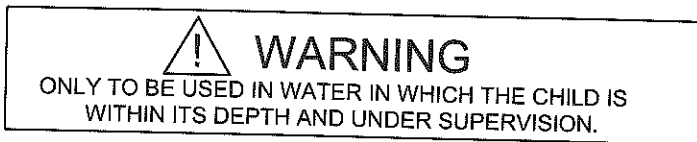
SWIMWAYS PRODUCTS are guaranteed against defective materials and workmanship for a period of one year from the date of purchase (warranty period). Within the warranty period, Swimways without cost, at its option will repair or replace such defective products or parts provided the products or parts have not been misused, carelessly handled, or defaced by repairs made or attempted by others.

To take advantage of this limited warranty, contact the Customer Service Department at Swimways for repair or replacement.

DO NOT RETURN THE PRODUCT TO THE STORE WHERE YOU PURCHASED IT.

This warranty extends to the first owner (original purchaser). All warranties implied at law are hereby limited to one year.

This warranty gives you specific legal rights, and you may also have other rights which may vary from state to state.



DO NOT THROW THESE INSTRUCTIONS AWAY! KEEP FOR FUTURE REFERENCE.



Comments or Assistance? Please call 1-800-889-SWIM (7946)  
Outside the U.S.A. please call 757-460-1156

**SWIMWAYS CORP.**

5816 Ward Ct. Virginia Beach, Virginia 23455

[www.swimways.com](http://www.swimways.com)

MODEL 11622-110

P/N 14155  
REV. 7/1/10